

Hot Cup Applications

HC Series Sanitary Quick Change Systems



VB2 Series

VH3 Series

The HC Series of 3M™ Water Filtration Products are designed to provide improved water quality and seamless beverage service specifically for hot brewed beverages such as coffee, tea, espresso and hot chocolate.

The HC Series interconnect and head designs ensure the use of high-quality replacement cartridges, time after time.

The ramped interconnect completely disconnects the cartridge from the filter head with only a 1/4 turn, making this an extremely easy cartridge change-out.

Built-in valve allows cartridge changeouts without shutting off the incoming water supply.

Choices of 1/4" or 3/8" John Guest connections are compatible with plastic and copper connections.

The integral mounting bracket makes installation quick and easy.

The sanitary quick change design allows for quick and easy cartridge change-outs and minimizes contamination of the filtration media.

A True Choice For Improved Water Quality

All premium-quality HC Series products provide:

- Chlorine taste and odor reduction — makes the difference you can taste
- Sediment reduction — improves beverage clarity
- Built-in scale inhibition — reduces unscheduled service calls
- Chemical reduction — VB2 Series Only
- Ensured system function without activation

Choose the system that is right for your needs:

Drinking Water Quality

VH3/HC350-S Capacity: 3,500 gallons (13,249 liters) or 56,000 cups (8 oz. vend.) Flow Rate: 1 gpm (3.8 lpm) 3/8" John Guest Connections

Features

- Graded density, compressed carbon block
- 0.5 micron cyst, turbidity, fine sediment reduction
- Scale inhibitor

Product Benefits

- Maximizes the effective life and chlorine reduction capability of the system while reducing fine particles associated with cloudy beverages
- Helps reduce the health effects associated with filterable cysts
- Helps reduce maintenance caused by clogged valves and orifices

Beverage Quality Water

VH3/HC151-S Capacity: 1,500 gallons (5,678 liters) or 24,000 cups (8 oz. vend.) Flow Rate: 0.75 gpm (2.84 lpm) 3/8" John Guest Connections

VH3/HC351-S Capacity: 3,500 gallons (13,249 liters) or 56,000 cups (8 oz. vend.) Flow Rate: 1 gpm (3.8 lpm) 3/8" John Guest Connections

VH3/HC111-S Chemical Reduction

Capacity: 1,100 gallons (4,164 liters) or 17,600 cups (8 oz. vend.) Flow Rate: 0.5 gpm (1.9 lpm) 1/4" John Guest Connections

Features

- Graded density, compressed carbon block
- 0.5 micron cyst, turbidity, fine sediment reduction
- Scale inhibitor

Product Benefits

- Maximizes the effective life and chlorine reduction capability of the system while reducing fine particles associated with cloudy beverages
- Helps reduce the health effects associated with filterable cysts
- Helps reduce maintenance

Maintenance Quality Water

VH3/HC355-S Capacity: 3,500 gallons (13,249 liters) or 56,000 cups (8 oz. vend.) Flow Rate: 1 gpm (3.8 lpm) 3/8" John Guest Connections

Features

- 5 micron, graded density Multi-composite carbon block
- Scale inhibitor

Product Benefits

- Helps protect equipment from the effects of water conditions with heavy dirt load
- Helps extend the usable life of the filter
- Helps reduce maintenance caused by clogged valves and orifices

Quotation for Specified 3M™ Water Filtration Products

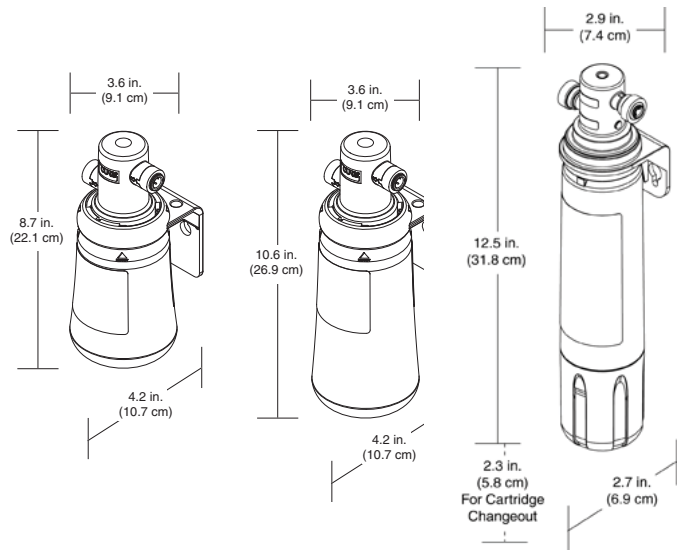
Specified Model # _____

Part # _____

Price Quoted _____

Installed on what equipment _____

Quantity Required _____



Applications/Specifications

Model#	Part#	System Dimensions in (cm)	Replacement Cartridge	Part#	Chlorine Taste and Odor	Scale Inhibition	Sediment Reduction	Cyst Reduction	Turbidity Reduction	Select Chemical Reduction*	Particle Reduction (Microns)	Capacity Gals. (Liters)	Flow Rate gpm (lpm)	Carton Weight lbs (kg)	Carton Dimensions cu. ft. (cu. m.)	Case Qty
VH3/ HC350-S	56092-06	3.6 W x 4.2 D x 10.6 H (9.1 x 10.7 x 26.9)	HC350-S	56093-11	X	X	X	X	X		0.5	3,500 (13,249)	1 (3.9)	17.5 (7.9)	1.34 (0.4)	8
VH3/ HC151-S	56092-02	3.6 W x 4.2 D x 10.6 H (9.1 x 10.7 x 26.9)	HC151-S	56093-03	X	X	X				1	1,500 (5,678)	0.75 (2.8)	14.8 (6.7)	1.34 (0.4)	8
VH3/ HC351-S	56092-12	3.6 W x 4.2 D x 10.6 H (9.1 x 10.7 x 26.9)	HC351-S	56093-17	X	X	X				1	3,500 (13,249)	1 (3.9)	17.5 (7.9)	1.34 (0.4)	8
VH3/ HC355-S	56092-12	3.6 W x 4.2 D x 10.6 H (9.1 x 10.7 x 26.9)	HC355-S	56093-23	X	X	X				5	3,500 (13,249)	1 (3.9)	17.5 (7.9)	1.34 (0.4)	8
VB2/ HC111-S	56146-01	2.9 W x 2.7 D x 12.5 H (7.4 x 6.9 x 31.8)	HC111-S	56145-01	X	X	X			X	1	1,100 (4,165)	0.5 (1.89)	--	--	8

These installation tips are for informational purposes only and are not intended to be used as actual installation instructions.

CAUTION: To reduce the risk of property damage due to water leakage, read, follow, and understand the Installation and Use instruction guide BEFORE installation and use of this system.

- Shut off downstream equipment prior to installation of the system.
- Choose mounting location to support full system weight when operating.
- Comply with all state and local plumbing codes.
- Do not exceed operating parameters for temperature or pressure. System maximum operating pressure of 90 psi (620.5 kPa) and operating temperature of 100°F (38°C). If pressure exceeds 90 psi, a pressure limiting valve must be installed.
- Do not install outdoors.
- For commercial use on cold water line only.
- Change cartridge at least every 6 months.
- Screw-tighten the sump to the head until snug, regardless of final label orientation.
- Systems certified for Cyst reduction may be used on disinfected water that may contain filterable cysts. EPA Establishment No. 070595-CT-001

WARNING: Do not use with water that is microbiologically unsafe or of unknown quality without adequate disinfection before or after the system.

CUNO Incorporated recommends regularly scheduled maintenance and replacement of the filter cartridge(s) in order for the product to perform as advertised/sold. CUNO shall not be liable for system failures due to improper maintenance.

Five Year Warranty

CUNO Incorporated defects in materials and workmanship. This warranty, together with any and all warranties implied by law, shall be limited to a period of five (5) years from the date of original purchase by the consumer. This warranty does not apply to failures that result from abuse, misuse, alteration or damage not caused by CUNO. This warranty is subject to exclusions and limitations. Please refer to the Warranty Card provided with the product for details. This warranty does not apply to cartridge life. See 3M™ Water Filtration Products Price Book for Terms and Conditions for details about cartridge life.

Distributed By:



CUNO Incorporated
 400 Research Parkway
 Meriden, CT 06450, USA
 Toll Free: 1.888.218.CUNO
 Worldwide: 203.237.5541
 Fax: 203.238.8701
 www.cunofoodservice.com